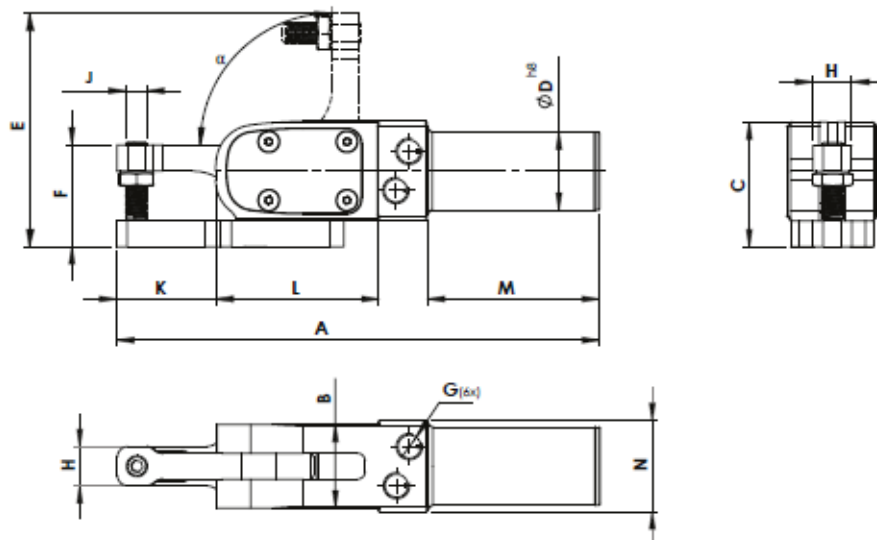
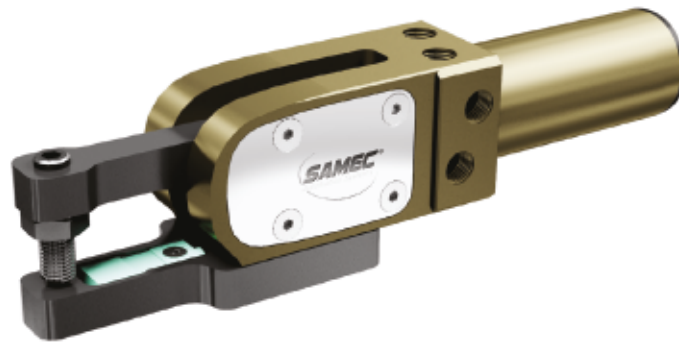




Klemmgreifer / Pneumatic Clamp
SA25IL1524/1539



Material: Ergal 7075 & Stahl
Behandlung: Hartanodisieren und Brünierung
Schrauben: enthalten

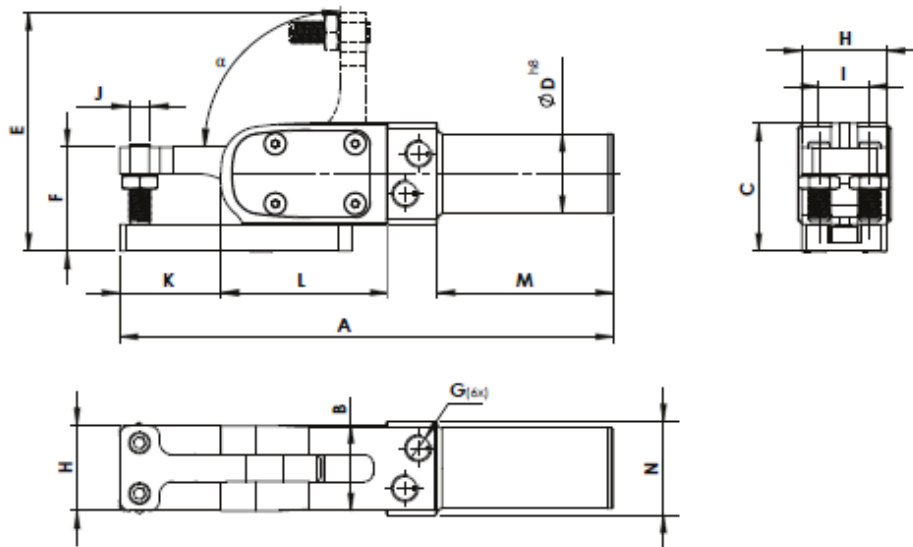
Material: Ergal 7075 & Steel
Treatment: Hard anodizing & Burnishing
Bolts: Included

| CODE | A | B | C | ∅D | E | F | G | H | I | J | K | L | M | N |
|------------|-----|----|----|----|------|----|-------|----|-----|----|----|----|----|----|
| SA25IL1524 | 170 | 32 | 48 | 30 | 74,5 | 39 | 1/8 G | 15 | ... | M8 | 24 | 62 | 66 | 35 |
| SA25IL1539 | 185 | 32 | 48 | 30 | 89,5 | 39 | 1/8 G | 15 | ... | M8 | 39 | 62 | 66 | 35 |

| Spannerart / Type | Durchmesser / Bore | Klemmkraft (6 bar) / Clamping force | Öffnungswinkel α / Opening angle α | Luftverbrauch pro Doppelhub / Air consumption per cycle | Gewicht / Weight (Kg) |
|----------------------|-----------------------|--|---------------------------------------|---|--------------------------|
| SA25IL1524 | 25 | 160 daN | 90° / 45° | 27 cm ³ | 0,52 |
| SA25IL1539 | 25 | 120 daN | 90° / 45° | 27 cm ³ | 0,55 |



Klemmgreifer / Pneumatic Clamp SA25IL3224 / 3239



Material: Ergal 7075 & Stahl
Behandlung: Hartanodisieren und Brünierung
Schrauben: enthalten

Material: Ergal 7075 & Steel
Treatment: Hard anodizing & Burnishing
Bolts: Included

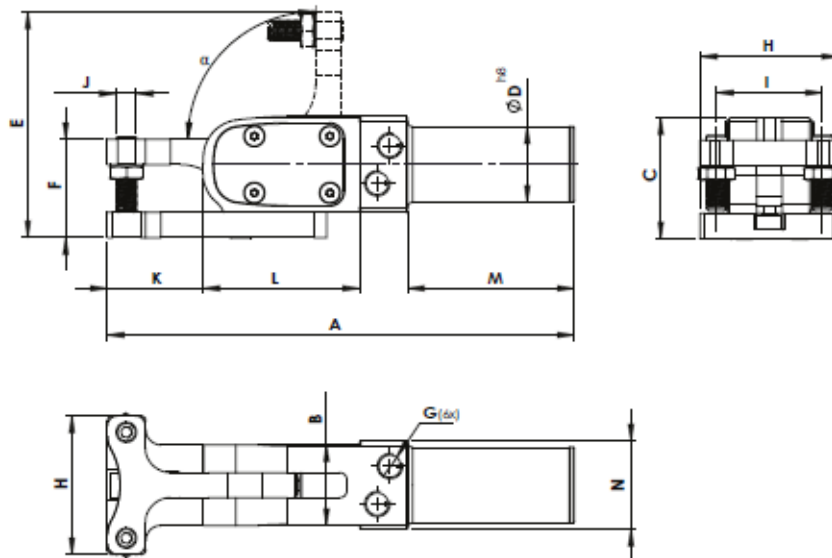
| CODE | A | B | C | ØD | E | F | G | H | I | J | K | L | M | N |
|------------|-----|----|----|----|------|----|-------|----|----|----|----|----|----|----|
| SA25IL3224 | 170 | 32 | 48 | 30 | 74,5 | 39 | 1/8 G | 32 | 19 | M8 | 24 | 62 | 66 | 35 |
| SA25IL3239 | 185 | 32 | 48 | 30 | 89,5 | 39 | 1/8 G | 32 | 19 | M8 | 39 | 62 | 66 | 35 |

| Spannerart / Type | Durchmesser / Bore | Klemmkraft (6 bar) / Clamping force | Öffnungswinkel α / Opening angle α | Luftverbrauch pro Doppelhub / Air consumption per cycle | Gewicht / Weight (Kg) |
|----------------------|-----------------------|--|---|---|--------------------------|
| SA25IL3224 | 25 | 160 daN | 90° / 45° | 27 cm ³ | 0,58 |
| SA25IL3239 | 25 | 120 daN | 90° / 45° | 27 cm ³ | 0,62 |



Klemmgreifer / Pneumatic Clamp

SA25IL5524 / 5539



Material: Ergal 7075 & Stahl
Behandlung: Hartanodisieren und Brünierung
Schrauben: enthalten

Material: Ergal 7075 & Steel
Treatment: Hard anodizing & Burnishing
Bolts: Included

| CODE | A | B | C | ∅D | E | F | G | H | I | J | K | L | M | N |
|------------|-----|----|----|----|------|----|-------|----|----|----|----|----|----|----|
| SA25IL5524 | 170 | 32 | 48 | 30 | 74,5 | 39 | 1/8 G | 55 | 42 | M8 | 24 | 62 | 66 | 35 |
| SA25IL5539 | 185 | 32 | 48 | 30 | 89,5 | 39 | 1/8 G | 55 | 42 | M8 | 39 | 62 | 66 | 35 |

| Spannerart / Type | Durchmesser / Bore | Klemmkraft (6 bar) / Clamping force | Öffnungswinkel α / Opening angle α | Luftverbrauch pro Doppelhub / Air consumption per cycle | Gewicht / Weight (Kg) |
|-------------------|--------------------|-------------------------------------|------------------------------------|---|-----------------------|
| SA25IL5524 | 25 | 160 daN | 90° / 45° | 27 cm ³ | 0,62 |
| SA25IL5539 | 25 | 120 daN | 90° / 45° | 27 cm ³ | 0,67 |