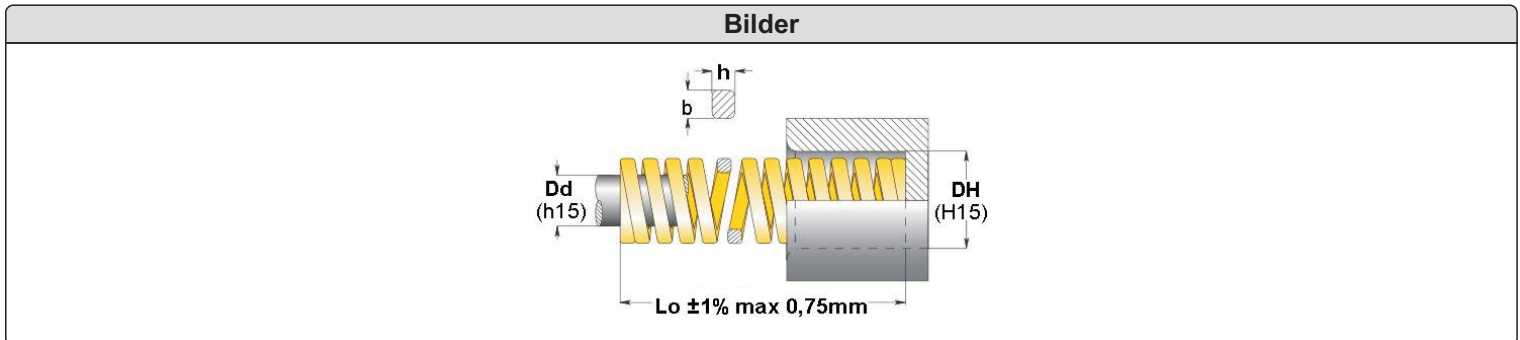







Artikelnummer	Beschreibung
<b>F4</b>	<b>Feder für sehr starke Belastung</b>

Informationen
Baugleich Fibro 241.17. Farbe Gelb



Bestellbeispiel
F-20102-4 = F- Durchmesser DH 20mm, Länge Lo 102mm, Gelb

Code	D <sub>H</sub>	D <sub>d</sub>	L <sub>0</sub>	R	A		B		C		D		E
					17% L <sub>0</sub>	N	20% L <sub>0</sub>	N	22.5% L <sub>0</sub>	N	25% L <sub>0</sub>	N	
b x h		± 10%		+ 3.000.000		~ 1.500.000		300 - 500.000		100 - 200.000		nicht verwenden	
mm		mm		mm		mm		mm		mm		max.	
mm		N/mm		N		N		N		N		mm	
F-10025-4	10	5	25	36.8	4.3	158	5.0	184	5.6	207	6.3	232	7.7
F-10032-4			32	27.9	5.4	151	6.4	179	7.2	201	8.0	223	10.6
F-10038-4			38	23.7	6.5	154	7.6	180	8.6	203	9.5	225	12.6
F-10044-4			44	19.2	7.5	144	8.8	169	9.9	190	11.0	211	13.8
F-10051-4			51	16.5	8.7	144	10.2	168	11.5	189	12.8	211	16.2
F-10064-4			64	13.2	10.9	144	12.8	169	14.4	190	16.0	211	20.4
F-10076-4			76	10.9	12.9	141	15.2	166	17.1	186	19.0	207	25.2
F-10305-4	1.9 x 1.6	305	2.6	51.9	135	61.0	159	68.6	178	76.3	198	111	
F-13025-4	12.5	6.3	25	58.5	4.3	252	5.0	293	5.6	329	6.3	369	8.1
F-13032-4			32	43.9	5.4	237	6.4	281	7.2	316	8.0	351	9.9
F-13038-4			38	36.0	6.5	234	7.6	274	8.6	308	9.5	342	12.9
F-13044-4			44	30.3	7.5	227	8.8	267	9.9	300	11.0	333	14.1
F-13051-4			51	26.2	8.7	228	10.2	267	11.5	301	12.8	335	17.4
F-13064-4			64	21.2	10.9	231	12.8	271	14.4	305	16.0	339	21.0
F-13076-4			76	17.1	12.9	221	15.2	260	17.1	292	19.0	325	26.4
F-13089-4	89	14.5	15.1	219	17.8	258	20.0	290	22.3	323	31.5		
F-13102-4	102	12.7	17.3	220	20.4	259	23.0	291	25.5	324	36.0		
F-13305-4	2.6 x 2.0	305	4.3	51.9	223	61.0	262	68.6	295	76.3	328	111	
F-16025-4	16	8	25	118	4.3	507	5.0	590	5.6	664	6.3	743	8.5
F-16032-4			32	89.0	5.4	481	6.4	570	7.2	641	8.0	712	11.0
F-16038-4			38	72.1	6.5	469	7.6	548	8.6	616	9.5	685	13.2
F-16044-4			44	60.9	7.5	457	8.8	536	9.9	603	11.0	670	14.7
F-16051-4			51	52.3	8.7	455	10.2	533	11.5	600	12.8	669	17.7
F-16064-4			64	41.2	10.9	449	12.8	527	14.4	593	16.0	659	21.9
F-16076-4			76	34.1	12.9	440	15.2	518	17.1	583	19.0	648	27.8
F-16089-4	89	29.5	15.1	445	17.8	525	20.0	591	22.3	658	31.2		
F-16102-4	102	25.6	17.3	443	20.4	522	23.0	588	25.5	653	37.9		
F-16115-4	115	22.4	19.6	439	23.0	515	25.9	580	28.8	645	44.5		
F-16305-4	3.2 x 2.9	305	8.4	51.9	436	61.0	512	68.6	576	76.3	641	113	

Code	D <sub>H</sub>	D <sub>d</sub>	L <sub>0</sub>	R	A		B		C		D		E
					 17% L <sub>0</sub>	N	 20% L <sub>0</sub>	N	 22.5% L <sub>0</sub>	N	 25% L <sub>0</sub>	N	 max.
b x h				± 10%	+ 3.000.000	~ 1.500.000	300 - 500.000	100 - 200.000	nicht verwenden				
mm		mm	mm	N/mm	mm	N	mm	N	mm	N	mm	N	mm
F-20025-4	20	10	25	293	4.3	1260	5.0	1465	5.6	1648	6.3	1846	6.9
F-20032-4			32	224	5.4	1210	6.4	1434	7.2	1613	8.0	1792	9.4
F-20038-4			38	177	6.5	1151	7.6	1345	8.6	1513	9.5	1682	12.0
F-20044-4			44	149	7.5	1118	8.8	1311	9.9	1475	11.0	1639	13.5
F-20051-4			51	128	8.7	1114	10.2	1306	11.5	1469	12.8	1638	16.2
F-20064-4			64	99.0	10.9	1079	12.8	1267	14.4	1426	16.0	1584	21.2
F-20076-4			76	81.7	12.9	1054	15.2	1242	17.1	1397	19.0	1552	24.7
F-20089-4			89	69.5	15.1	1049	17.8	1237	20.0	1392	22.3	1550	28.8
F-20102-4			102	60.6	17.3	1048	20.4	1236	23.0	1391	25.5	1545	34.8
F-20115-4			115	53.0	19.6	1039	23.0	1219	25.9	1371	28.8	1526	39.0
F-20127-4			127	47.5	21.6	1026	25.4	1207	28.6	1357	31.8	1511	43.0
F-20139-4			139	43.0	23.8	1023	28.0	1204	31.3	1345	35.0	1505	45.3
F-20152-4			152	39.0	25.8	1006	30.4	1186	34.2	1334	38.0	1482	50.4
F-20305-4	4.1 x 3.8		305	21.2	51.9	1100	61.0	1293	68.6	1455	76.3	1618	103
F-25025-4	25	12.5	25	459	4.3	1974	5.0	2295	5.6	2582	6.3	2892	7.3
F-25032-4			32	374	5.4	2020	6.4	2394	7.2	2693	8.0	2992	10.7
F-25038-4			38	300	6.5	1950	7.6	2280	8.6	2580	9.5	2850	12.0
F-25044-4			44	244	7.5	1830	8.8	2147	9.9	2416	11.0	2684	14.4
F-25051-4			51	208	8.7	1810	10.2	2122	11.5	2392	12.8	2662	17.4
F-25064-4			64	161	10.9	1755	12.8	2061	14.4	2318	16.0	2576	21.4
F-25076-4			76	131	12.9	1690	15.2	1991	17.1	2240	19.0	2489	26.9
F-25089-4			89	111	15.1	1676	17.8	1976	20.0	2220	22.3	2475	30.9
F-25102-4			102	96.3	17.3	1666	20.4	1965	23.0	2210	25.5	2456	36.7
F-25115-4			115	85.7	19.6	1680	23.0	1971	25.9	2217	28.8	2468	40.3
F-25127-4			127	76.3	21.6	1648	25.4	1938	28.6	2180	31.8	2426	45.1
F-25139-4			139	66.0	23.8	1571	28.0	1848	31.3	2066	35.0	2310	47.6
F-25152-4			152	63.5	25.8	1638	30.4	1930	34.2	2172	38.0	2413	53.5
F-25178-4	178	53.9	30.3	1633	35.6	1919	40.1	2159	44.5	2399	63.9		
F-25203-4	203	47.0	34.5	1622	40.6	1908	45.7	2147	50.8	2388	70.2		
F-25305-4	5.4 x 4.6		305	30.9	51.9	1604	61.0	1885	68.6	2121	76.3	2358	110
F-32038-4	32	16	38	480	6.5	3120	7.6	3648	8.6	4128	9.5	4560	11.4
F-32044-4			44	390	7.5	2925	8.8	3432	9.9	3861	11.0	4290	13.7
F-32051-4			51	320	8.7	2784	10.2	3264	11.5	3680	12.8	4096	15.6
F-32064-4			64	269	10.9	2934	12.8	3446	14.4	3876	16.0	4307	20.0
F-32076-4			76	219	12.9	2825	15.2	3329	17.1	3745	19.0	4161	24.4
F-32089-4			89	180	15.1	2723	17.8	3209	20.0	3611	22.3	4021	29.7
F-32102-4			102	155	17.3	2682	20.4	3162	23.0	3557	25.5	3953	35.1
F-32115-4			115	140	19.6	2744	23.0	3220	25.9	3623	28.8	4032	39.0
F-32127-4			127	124	21.6	2678	25.4	3150	28.6	3543	31.8	3943	42.8
F-32139-4			139	112	23.8	2673	28.0	3144	31.3	3512	35.0	3931	48.6
F-32152-4			152	102	25.8	2632	30.4	3101	34.2	3488	38.0	3876	52.4
F-32178-4			178	88.2	30.3	2672	35.6	3140	40.1	3532	44.5	3925	60.9
F-32203-4			203	76.0	34.5	2622	40.6	3086	45.7	3471	50.8	3861	69.2
F-32254-4	254	60.8	43.2	2627	50.8	3089	57.2	3475	63.5	3861	88.1		
F-32305-4	7.3 x 5.9		305	49.0	51.9	2543	61.0	2989	68.6	3363	76.3	3739	104

Code	D <sub>H</sub>	D <sub>d</sub>	L <sub>0</sub>	R	A		B		C		D		E	
					17% L <sub>0</sub>	N	20% L <sub>0</sub>	N	22.5% L <sub>0</sub>	N	25% L <sub>0</sub>	N		
b x h		± 10%		+ 3.000.000	- 1.500.000	300 - 500.000	100 - 200.000	nicht verwenden				max.		
mm		mm		mm	N/mm	mm	N	mm	N	mm	N	mm	mm	
F-40051-4	40	20	51	628	8.7	5464	10.2	6406	11.5	7206	12.8	8038	15.0	
F-40064-4			64	487	10.9	5308	12.8	6234	14.4	7013	16.0	7792	19.5	
F-40076-4			76	379	12.9	4889	15.2	5761	17.1	6481	19.0	7201	23.3	
F-40089-4			89	321	15.1	4847	17.8	5714	20.0	6428	22.3	7158	26.7	
F-40102-4			102	281	17.3	4861	20.4	5732	23.0	6449	25.5	7166	33.8	
F-40115-4			115	245	19.6	4802	23.0	5635	25.9	6339	28.8	7056	36.2	
F-40127-4			127	221	21.6	4774	25.4	5613	28.6	6315	31.8	7028	40.7	
F-40139-4			139	190	23.8	4522	28.0	5320	31.3	5942	35.0	6650	44.5	
F-40152-4			152	168	25.8	4334	30.4	5107	34.2	5746	38.0	6384	49.6	
F-40178-4			178	146	30.3	4424	35.6	5198	40.1	5847	44.5	6497	59.9	
F-40203-4			203	132	34.5	4554	40.6	5359	45.7	6029	50.8	6706	67.1	
F-40254-4			254	107	43.2	4622	50.8	5436	57.2	6115	63.5	6795	86.3	
F-40305-4	8.4 x 7.5	305	87.8	51.9	4557	61.0	5356	68.6	6025	76.3	6699	104		
F-50064-4	50	25	64	709	10.9	7728	12.8	9075	14.4	10210	16.0	11344	19.3	
F-50076-4			76	572	12.9	7379	15.2	8694	17.1	9781	19.0	10868	24.2	
F-50089-4			89	475	15.1	7173	17.8	8455	20.0	9512	22.3	10593	28.0	
F-50102-4			102	405	17.3	7007	20.4	8262	23.0	9295	25.5	10328	33.5	
F-50115-4			115	352	19.6	6899	23.0	8096	25.9	9108	28.8	10138	38.6	
F-50127-4			127	316	21.6	6826	25.4	8026	28.6	9030	31.8	10049	41.4	
F-50139-4			139	289	23.8	6878	28.0	8092	31.3	9046	35.0	10115	47.3	
F-50152-4			152	239	25.8	6166	30.4	7266	34.2	8174	38.0	9082	50.2	
F-50178-4			178	215	30.3	6515	35.6	7654	40.1	8611	44.5	9568	61.1	
F-50203-4			203	187	34.5	6452	40.6	7592	45.7	8541	50.8	9500	67.7	
F-50254-4			254	153	43.2	6610	50.8	7772	57.2	8744	63.5	9716	87.0	
F-50305-4			11.5 x 9.0	305	127	51.9	6591	61.0	7747	68.6	8715	76.3	9690	104
F-63076-4	63	38	76	952	12.9	12280	15.2	14470	-	-	-	-	15.5	
F-63089-4			89	819	15.1	12360	17.8	14580	-	-	-	-	-	20.0
F-63102-4			102	700	17.3	12110	20.4	14280	23.0	16065	25.5	17850	30.7	
F-63115-4			115	620	19.6	12152	23.0	14260	25.9	16043	28.8	17860	34.9	
F-63127-4			127	565	21.6	12204	25.4	14351	28.6	16145	31.8	17967	38.0	
F-63152-4			152	458	25.8	11816	30.4	13923	34.2	15664	38.0	17404	47.2	
F-63178-4			178	384	30.3	11635	35.6	13670	40.1	15379	44.5	17088	55.8	
F-63203-4			203	337	34.5	11627	40.6	13682	45.7	15392	50.8	17120	64.8	
F-63254-4			254	263	43.2	11362	50.8	13360	57.2	15030	63.5	16701	86.7	
F-63305-4			11.6 x 14.9	305	218	51.9	11314	61.0	13298	68.6	14960	76.3	16633	106

Lebensdauer: ca. 100.000 Zyklen