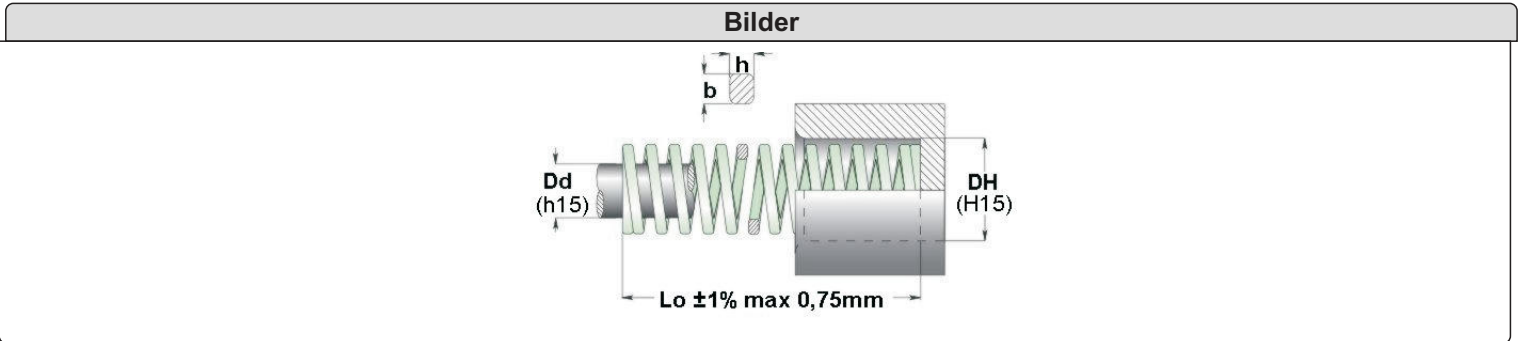



Artikelnummer	Beschreibung
F0	Feder für sehr leichte Belastung

Informationen
Farbe Hellgrün



Bestellbeispiel
F-20102-0 = F- Durchmesser DH 20mm, Länge Lo 102mm, Hellgrün

Code	D _H	D _d	L ₀	R	Spring Constant	A		B		C		D		E	
	Hole Diameter	Rod Diameter				30% L ₀		40% L ₀		45% L ₀		50% L ₀		nicht verwenden	
	b x h					mm	N	mm	N	mm	N	mm	N	mm	
				± 10%	+ 3.000.000	~ 1.500.000	300 - 500.000	100 - 200.000							
	mm	mm	mm	N/mm	mm	N	mm	N	mm	N	mm	N	mm		
F-20025-0	20	10	25	29.4	7.5	221	10.0	294	11.3	331	12.5	368	13.9		
F-20032-0			32	22.6	9.6	217	12.8	289	14.4	325	16.0	362	18.2		
F-20038-0			38	18.6	11.4	212	15.2	283	17.1	318	19.0	353	22.0		
F-20044-0			44	15.7	13.2	207	17.6	276	19.8	311	22.0	345	25.8		
F-20051-0			51	13.7	15.3	210	20.4	279	23.0	314	25.5	349	30.3		
F-20064-0			64	11.3	19.2	217	25.6	289	28.8	325	32.0	362	38.9		
F-20076-0			76	9.8	22.8	223	30.4	298	34.2	335	38.0	372	47.0		
F-20089-0			89	8.3	26.7	222	35.6	295	40.1	332	44.5	369	55.7		
F-20102-0			102	7.4	30.6	226	40.8	302	45.9	340	51.0	377	64.2		
F-20115-0			115	6.4	34.5	221	46.0	294	51.8	331	57.5	368	72.9		
F-20127-0			127	5.9	38.1	225	50.8	300	57.2	337	63.5	375	80.7		
F-20139-0			139	5.4	41.7	225	55.6	300	62.6	338	69.5	375	88.4		
F-20152-0			152	4.9	45.6	223	60.8	298	68.4	335	76.0	372	96.7		
F-20305-0	3.9 x 1.7	305	2.5	229	91.5	229	122	305	137	343	153	381	196		
F-25025-0	25	12.5	25	53.9	7.5	404	10.0	539	11.3	606	12.5	674	12.9		
F-25032-0			32	42.2	9.6	405	12.8	540	14.4	608	16.0	675	17.2		
F-25038-0			38	35.8	11.4	408	15.2	544	17.1	612	19.0	680	20.7		
F-25044-0			44	31.4	13.2	414	17.6	553	19.8	622	22.0	691	24.4		
F-25051-0			51	27.0	15.3	413	20.4	551	23.0	620	25.5	689	28.5		
F-25064-0			64	21.6	19.2	415	25.6	553	28.8	622	32.0	691	36.5		
F-25076-0			76	18.1	22.8	413	30.4	550	34.2	619	38.0	688	43.9		
F-25089-0			89	15.2	26.7	406	35.6	541	40.1	609	44.5	676	51.4		
F-25102-0			102	13.2	30.6	404	40.8	539	45.9	606	51.0	673	59.3		
F-25115-0			115	11.8	34.5	407	46.0	543	51.8	611	57.5	679	67.2		
F-25127-0			127	10.6	38.1	404	50.8	538	57.2	606	63.5	673	74.4		
F-25139-0			139	9.6	41.7	400	55.6	534	62.6	600	69.5	667	81.6		
F-25152-0			152	8.8	45.6	401	60.8	535	68.4	602	76.0	669	89.5		
F-25178-0			178	7.6	53.4	406	71.2	541	80.1	609	89.0	676	105		
F-25203-0			203	6.7	60.9	408	81.2	544	91.4	612	102	680	121		
F-25305-0			5.4 x 2.2	305	4.4	403	91.5	403	122	537	137	604	153	671	182

Code	D _H	D _d	L ₀	R	A		B		C		D		E		
	Hole Diameter	Rod Diameter	Free Length	Spring Constant	30% L ₀		40% L ₀		45% L ₀		50% L ₀				
	b x h			± 10%	+ 3.000.000	~ 1.500.000	300 - 500.000	100 - 200.000			nicht verwenden				
	mm	mm	mm	N/mm	mm	N	mm	N	mm	N	mm	N	mm		
F-32038-0	32	16	38	43.1	11.4	491	15.2	655	17.1	737	19.0	819	19.9		
F-32044-0			44	37.3	13.2	492	17.6	656	19.8	739	22.0	821	23.5		
F-32051-0			51	32.4	15.3	496	20.4	661	23.0	744	25.5	826	27.6		
F-32064-0			64	25.5	19.2	490	25.6	653	28.8	734	32.0	816	35.2		
F-32076-0			76	21.6	22.8	492	30.4	657	34.2	739	38.0	821	42.4		
F-32089-0			89	18.1	26.7	483	35.6	644	40.1	725	44.5	805	50.0		
F-32102-0			102	15.7	30.6	480	40.8	641	45.9	721	51.0	801	57.6		
F-32115-0			115	14.2	34.5	490	46.0	653	51.8	735	57.5	817	65.5		
F-32127-0			127	12.7	38.1	484	50.8	645	57.2	726	63.5	806	72.5		
F-32139-0			139	11.6	41.7	484	55.6	645	62.6	726	69.5	806	79.4		
F-32152-0			152	10.6	45.6	483	60.8	644	68.4	725	76.0	806	87.3		
F-32178-0			178	9.0	53.4	481	71.2	641	80.1	721	89.0	801	103		
F-32203-0			203	7.8	60.9	475	81.2	633	91.4	713	102	792	118		
F-32254-0			254	6.4	76.2	488	102	650	114	732	127	813	148		
			6.5 x 2.6	305	5.3	91.5	485	122	647	137	727	153	808	178	
F-40051-0			40	20	51	48.1	15.3	736	20.4	981	23.0	1104	25.5	1227	28.0
F-40064-0	64	39.2			19.2	753	25.6	1004	28.8	1129	32.0	1254	36.2		
F-40076-0	76	33.3			22.8	759	30.4	1012	34.2	1139	38.0	1265	43.7		
F-40089-0	89	28.4			26.7	758	35.6	1011	40.1	1137	44.5	1264	51.7		
F-40102-0	102	24.5			30.6	750	40.8	1000	45.9	1125	51.0	1250	59.8		
F-40115-0	115	22.1			34.5	762	46.0	1017	51.8	1144	57.5	1271	67.9		
F-40127-0	127	19.6			38.1	747	50.8	996	57.2	1120	63.5	1245	75.2		
F-40139-0	139	17.7			41.7	738	55.6	984	62.6	1107	69.5	1230	82.4		
F-40152-0	152	16.2			45.6	739	60.8	985	68.4	1108	76.0	1231	90.6		
F-40178-0	178	13.7			53.4	732	71.2	975	80.1	1097	89.0	1219	106		
F-40203-0	203	12.3			60.9	749	81.2	999	91.4	1124	101	1248	122		
F-40254-0	254	9.8			76.2	747	102	996	114	1120	127	1245	154		
F-40305-0	8.0 x 3.4	305			8.3	91.5	759	122	1013	137	1139	152	1266	185	
F-50064-0	50	25			64	86.3	19.2	1657	25.6	2209	28.8	2485	32.0	2762	35.1
F-50076-0					76	70.6	22.8	1610	30.4	2146	34.2	2415	38.0	2683	42.2
F-50089-0					89	59.8	26.7	1597	35.6	2129	40.1	2395	44.5	2661	50.3
F-50102-0			102	52.0	30.6	1591	40.8	2122	45.9	2387	51.0	2652	58.4		
F-50115-0			115	46.1	34.5	1590	46.0	2121	51.8	2386	57.5	2651	66.1		
F-50127-0			127	42.2	38.1	1608	50.8	2144	57.2	2412	63.5	2680	73.8		
F-50139-0			139	38.2	41.7	1593	55.6	2124	62.6	2389	69.5	2655	80.9		
F-50152-0			152	34.3	45.6	1564	60.8	2085	68.4	2346	76.0	2607	89.0		
F-50178-0			178	29.4	53.4	1570	71.2	2093	80.1	2355	89.0	2617	105		
F-50203-0			203	25.5	60.9	1553	81.2	2071	91.4	2329	101	2588	121		
F-50254-0			254	20.6	76.2	1570	102	2093	114	2355	127	2616	152		
F-50305-0			10.5 x 4.1	305	17.2	91.5	1574	122	2098	137	2361	152	2623	184	